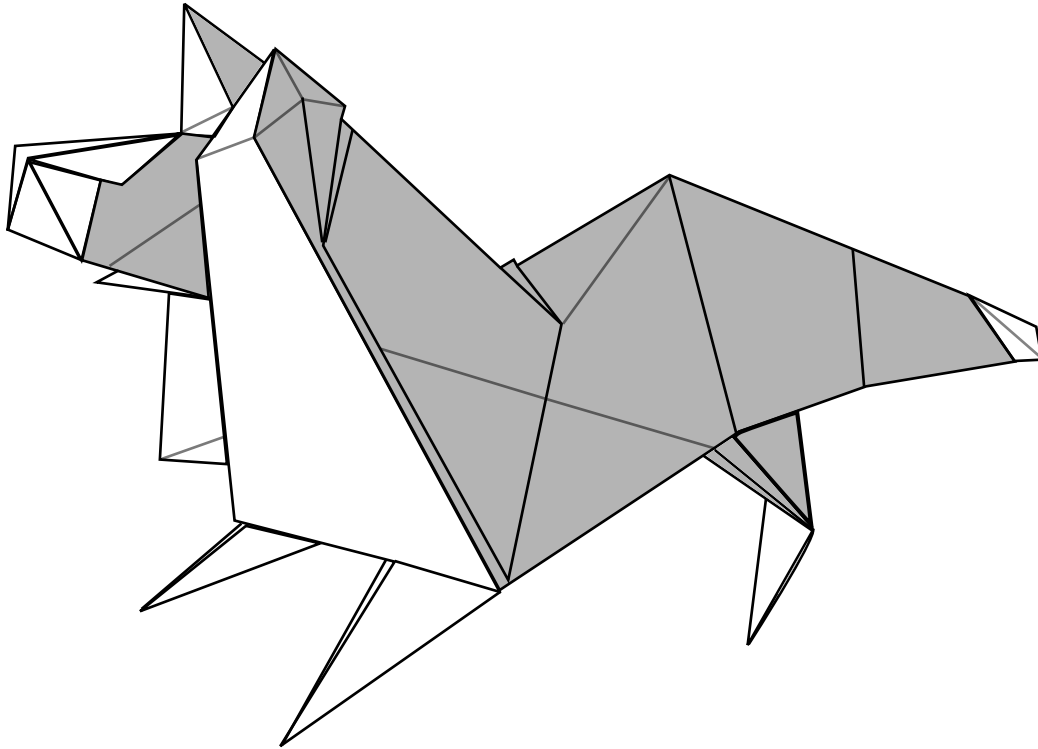


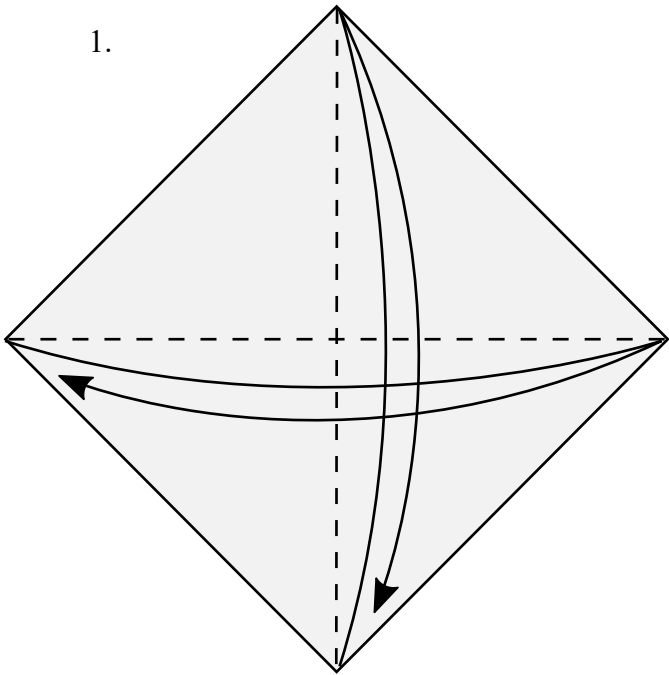
Collie

by Arun Soor
1/1/2016

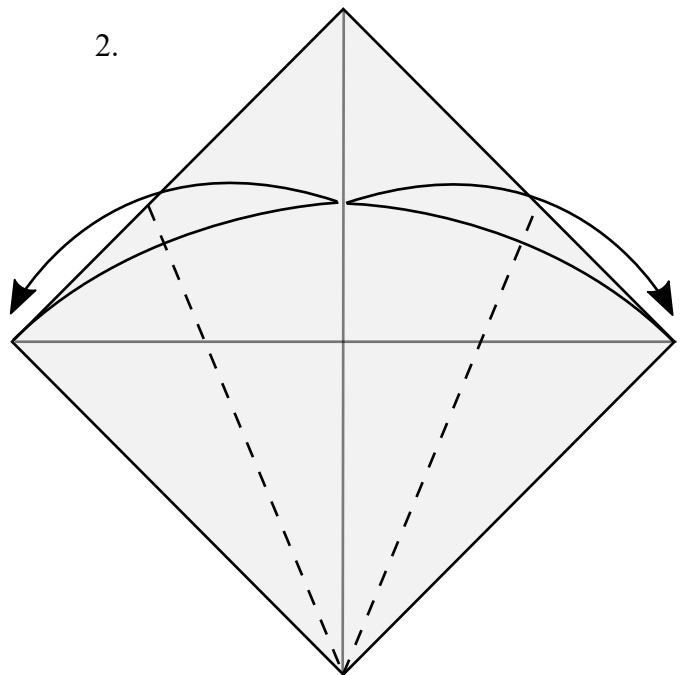


Use 6" kami or preferably larger.
Finished model about 2/3 size of square.
Difficulty: Intermediate.

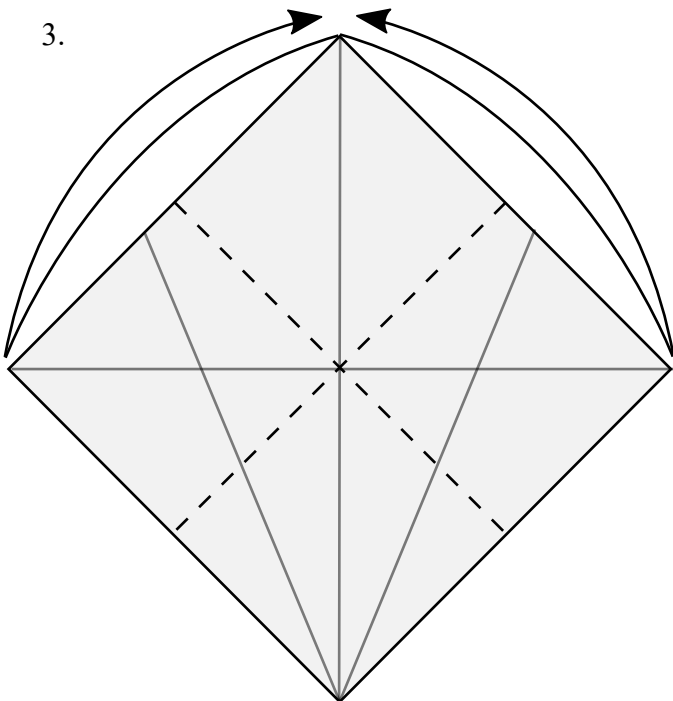
1.



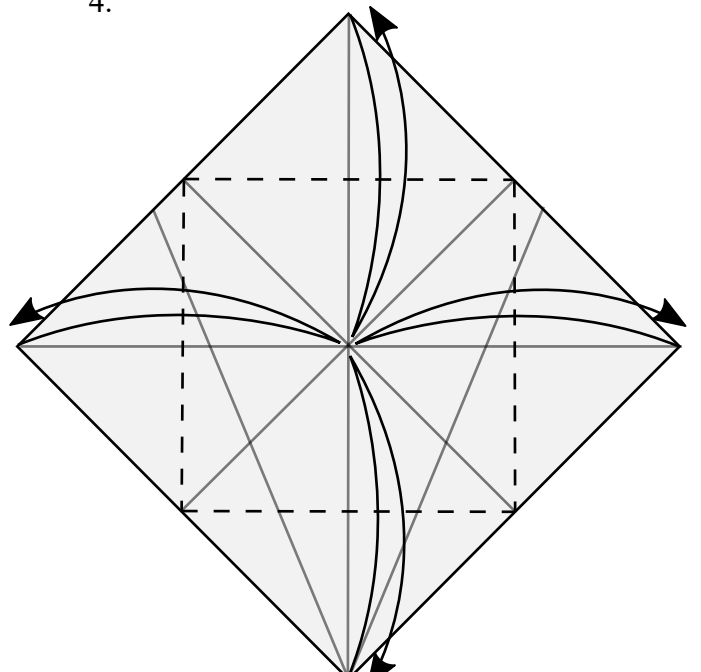
2.



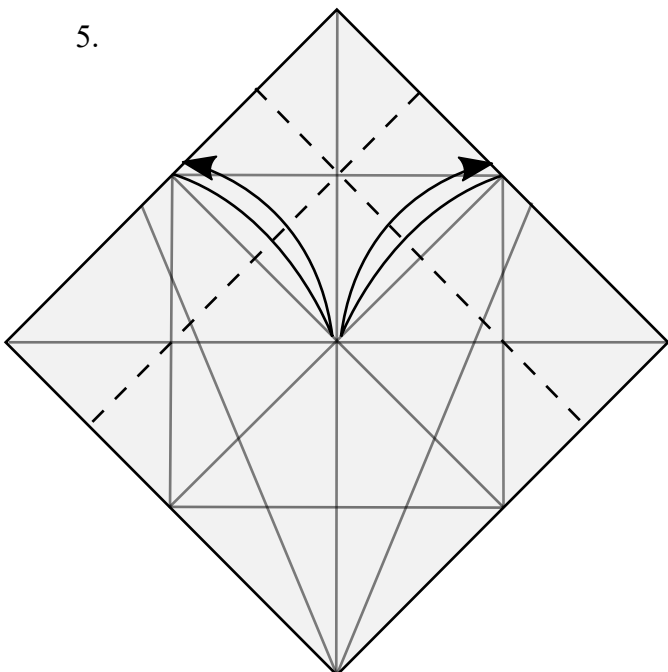
3.



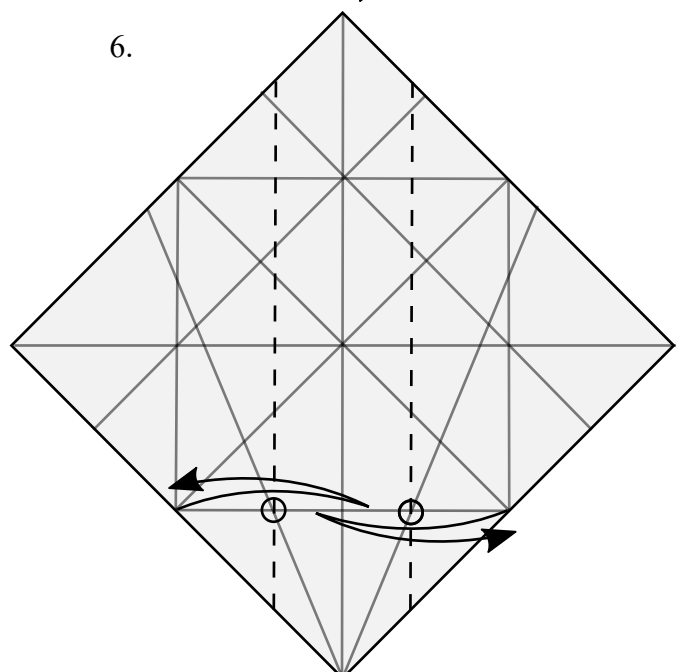
4.



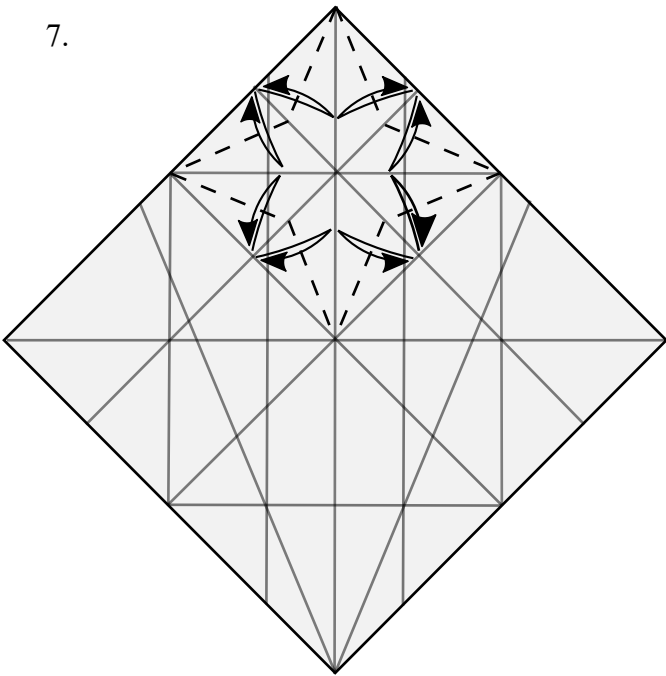
5.



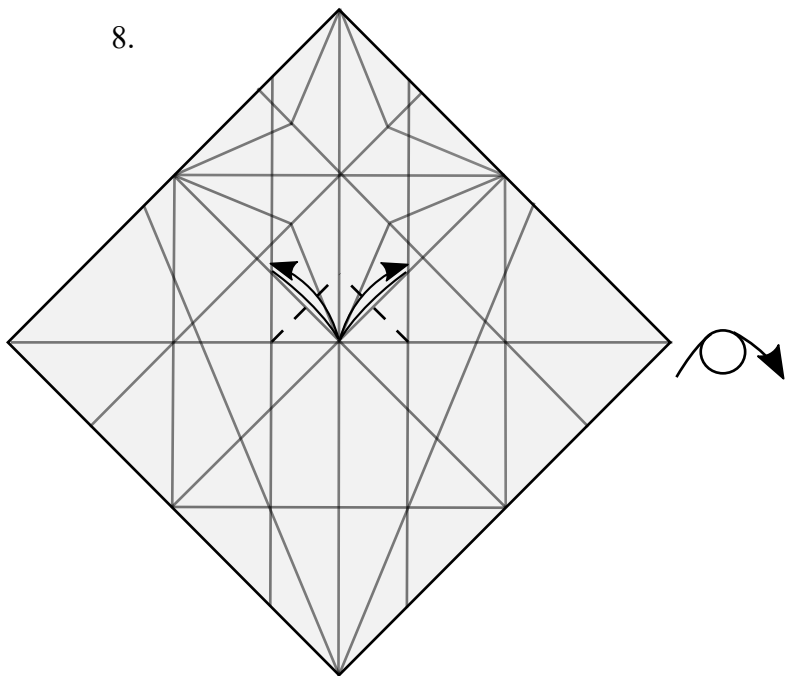
6.



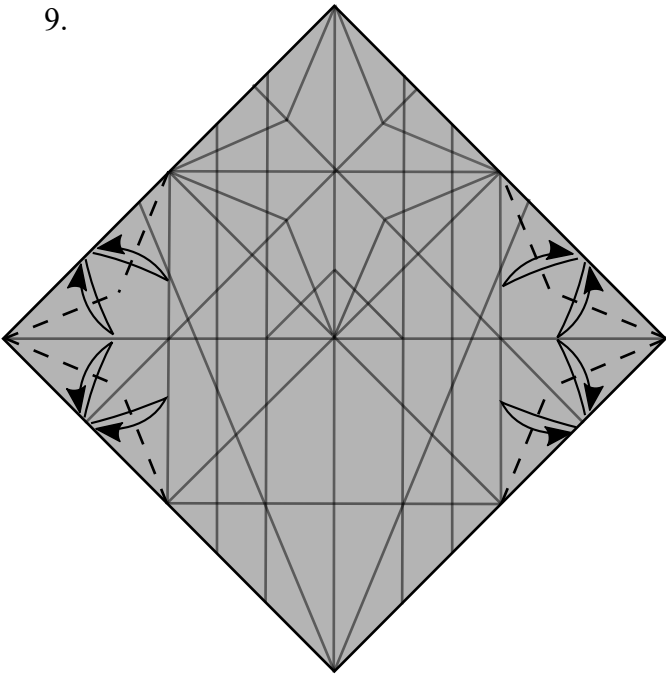
7.



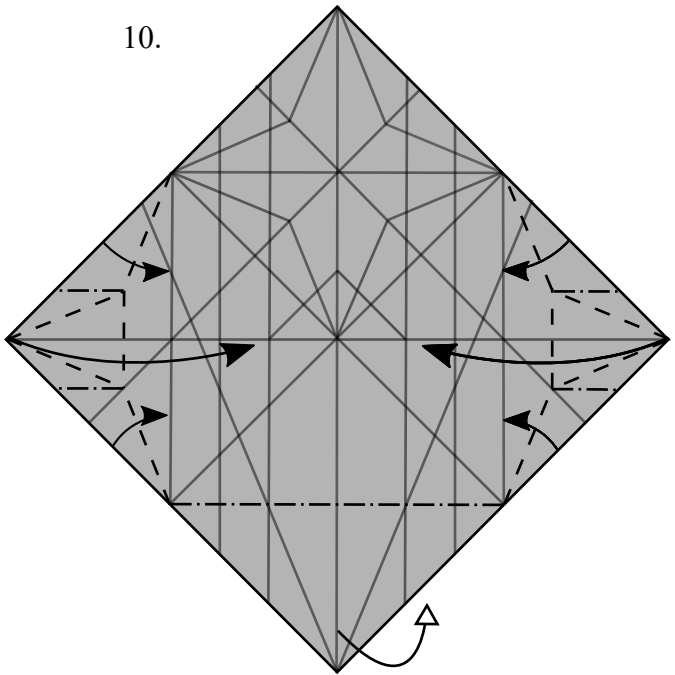
8.



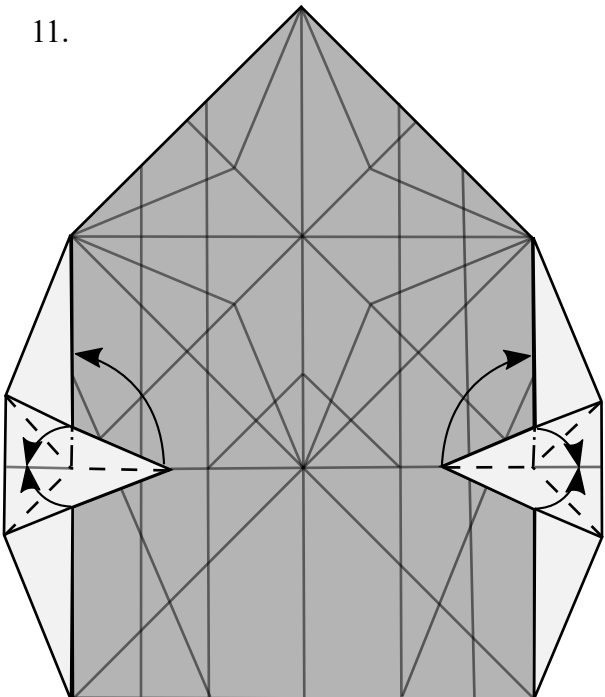
9.



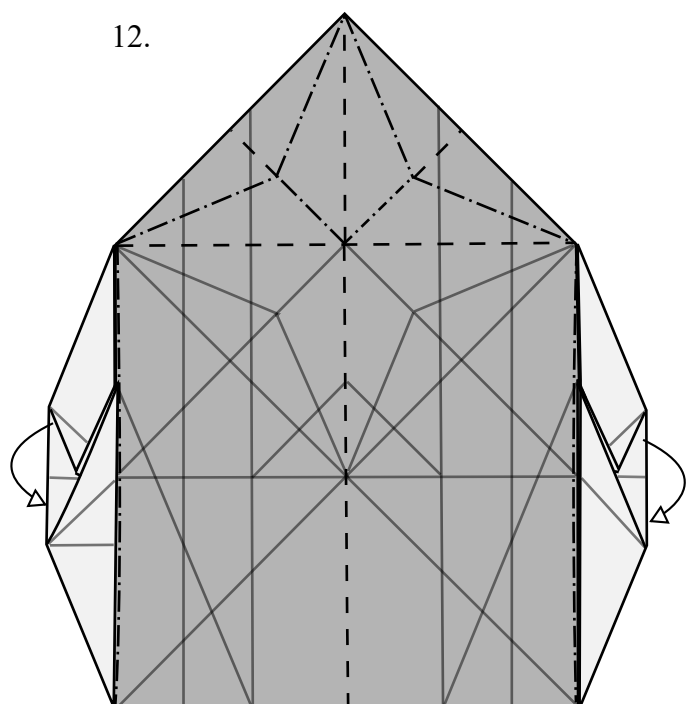
10.



11.



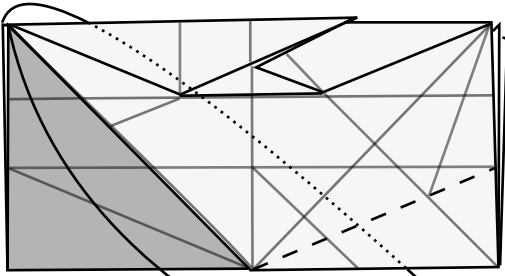
12.



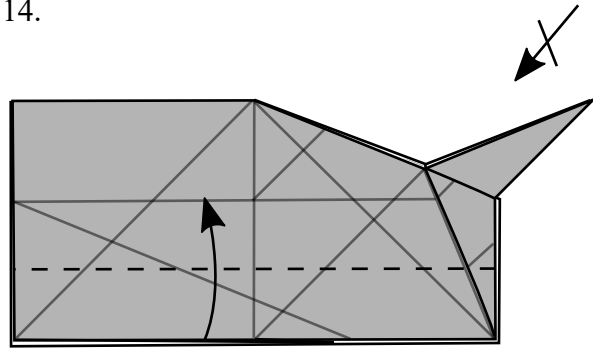
Rabbit's ear fold.

Collapse.

13.

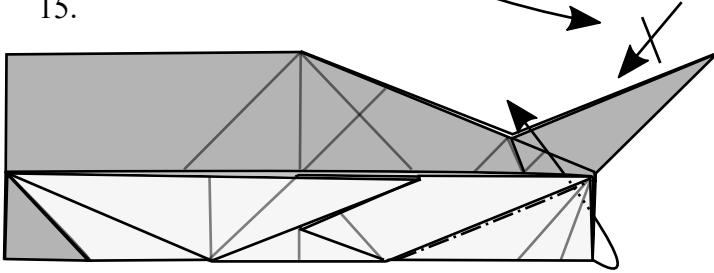


14.



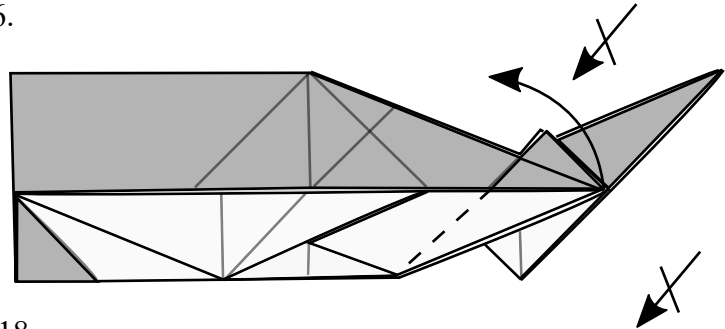
Valley fold through all the top layer.

15.

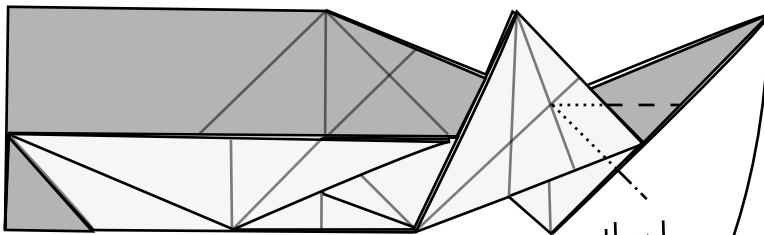


Inside reverse fold.

16.

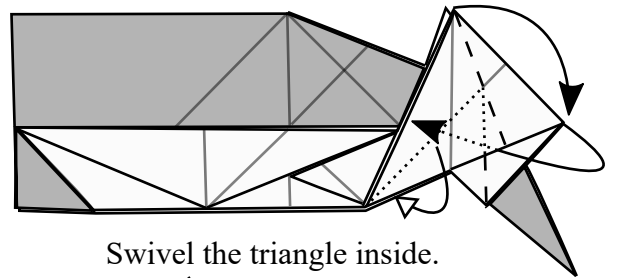


17.



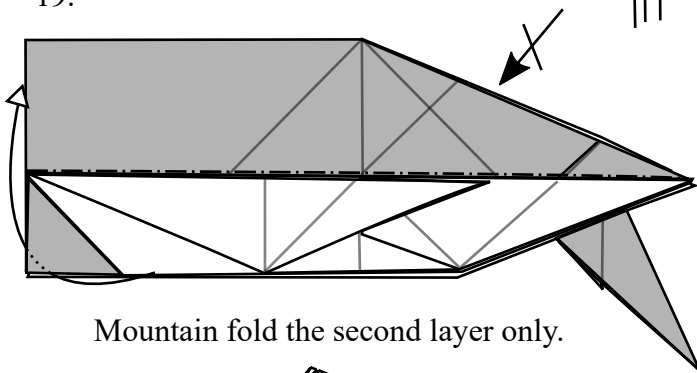
Crimp asymmetrically

18.



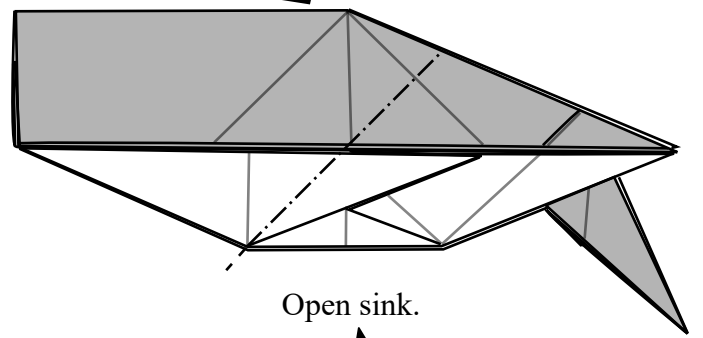
Swivel the triangle inside.

19.



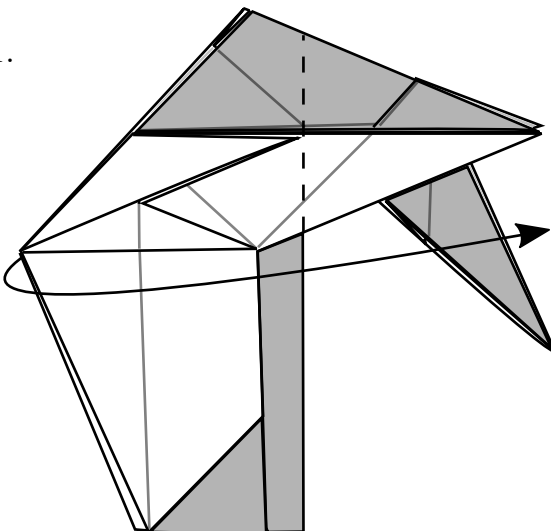
Mountain fold the second layer only.

20.



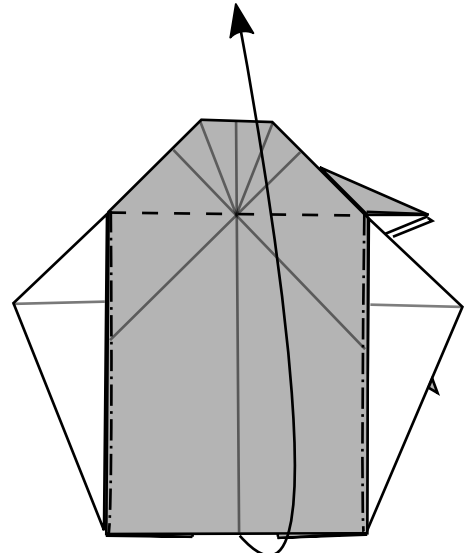
Open sink.

21.

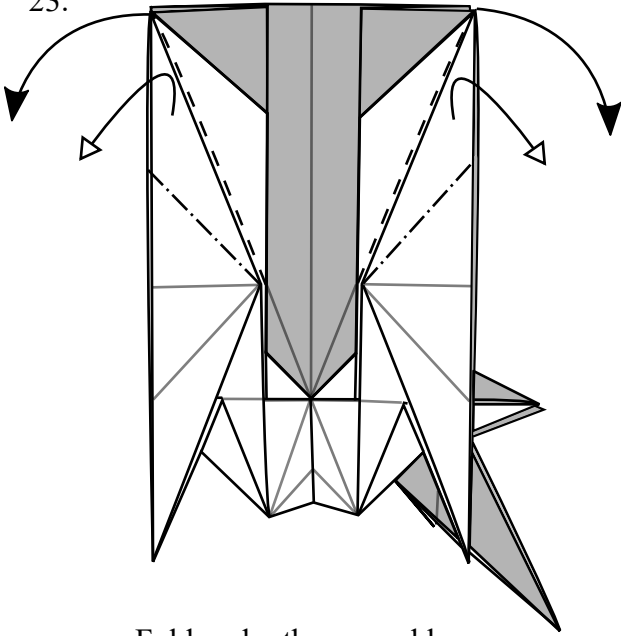


Don't crease sharply.

22.

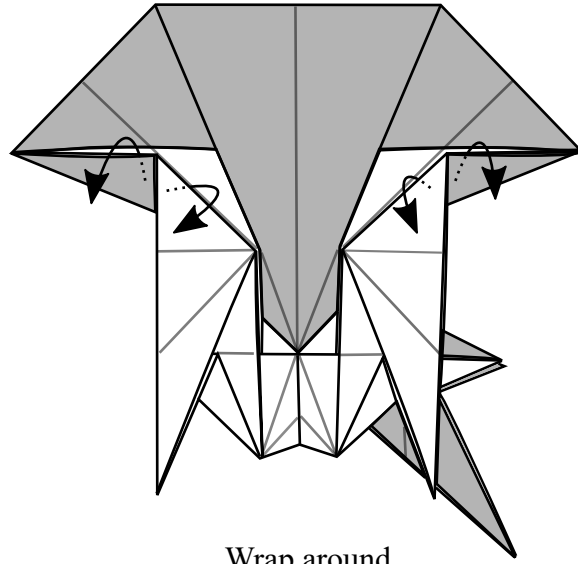


23.



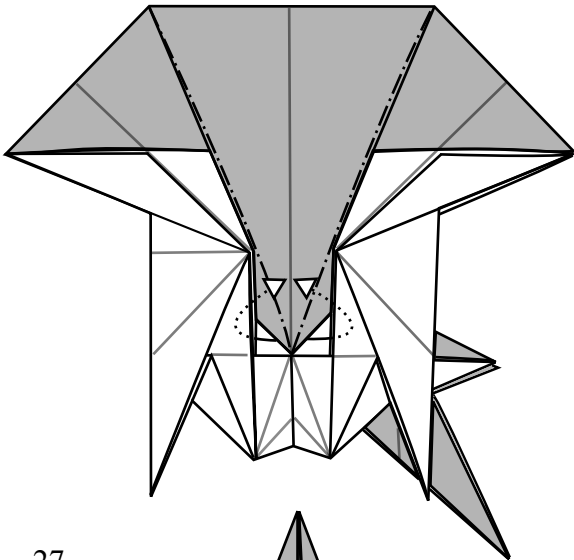
Fold under the second layer.

24.

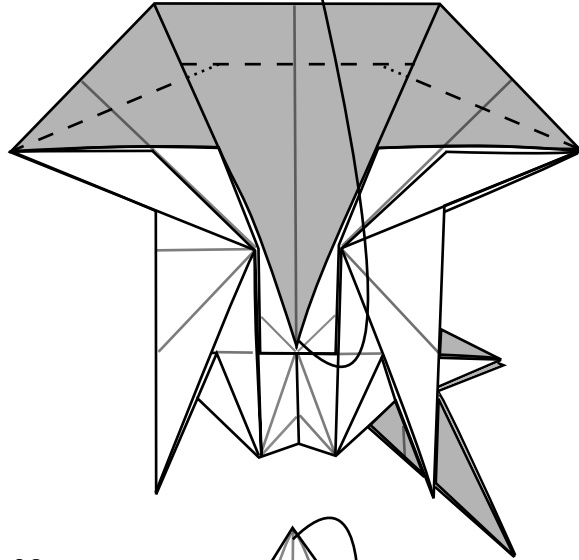


Wrap around.

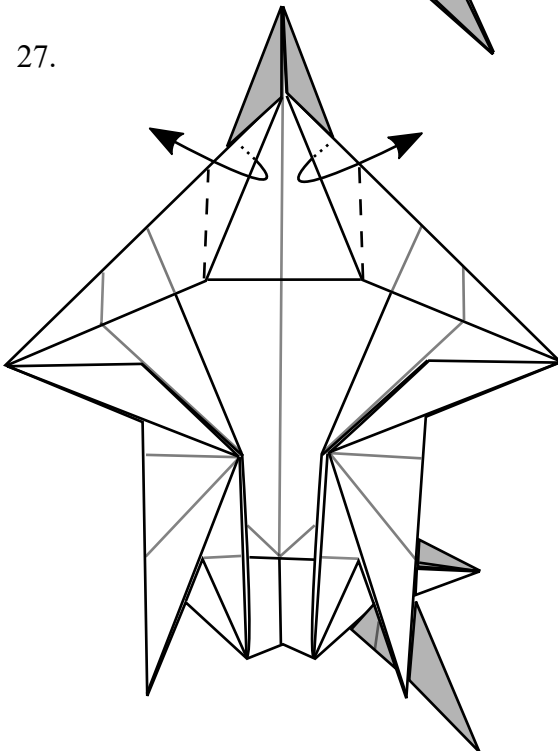
25.



26.

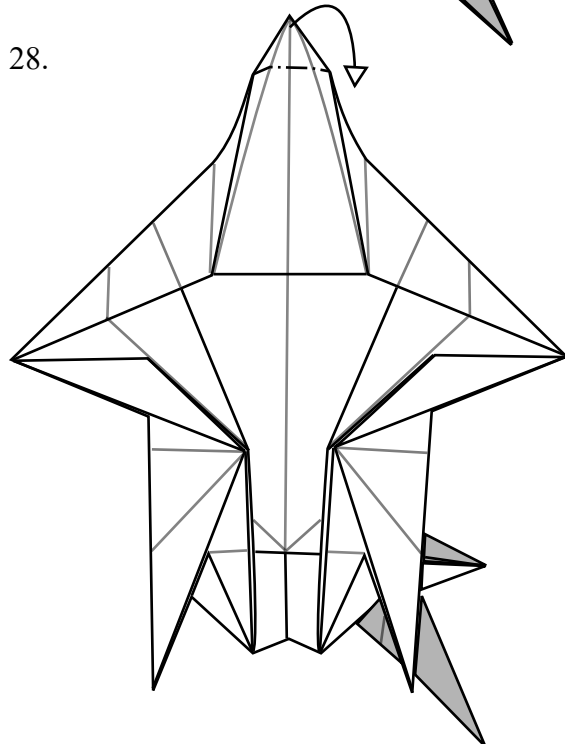


27.

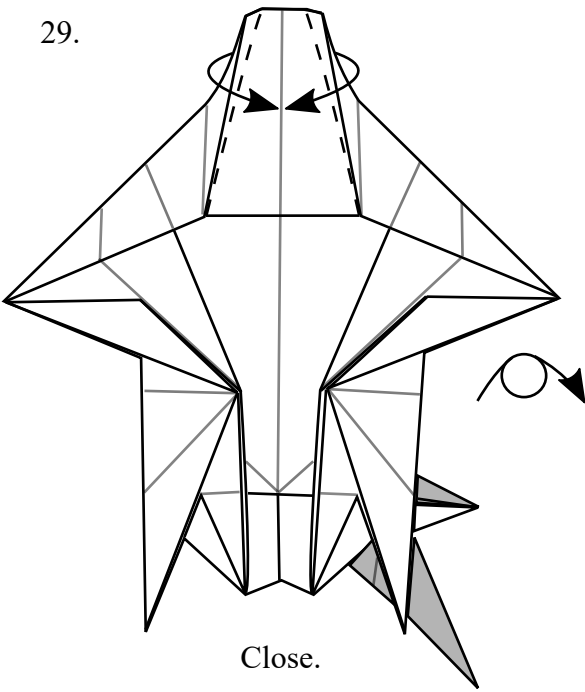


Open out.

28.

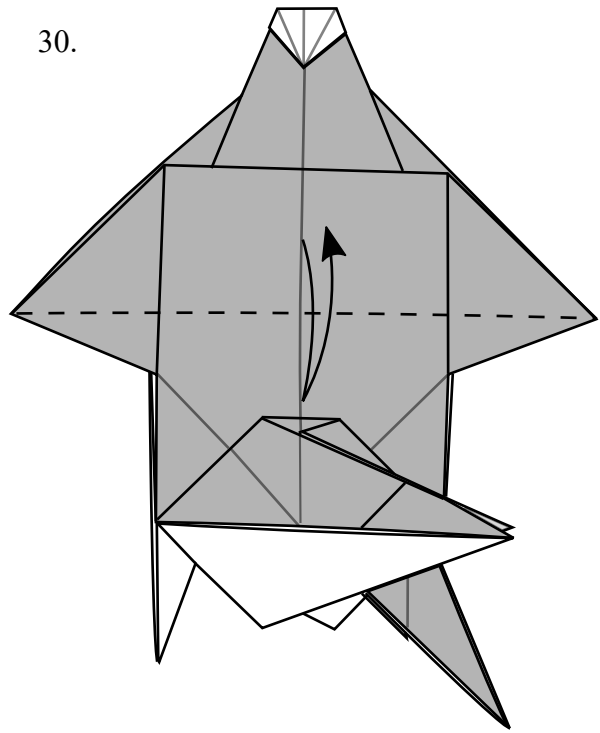


29.

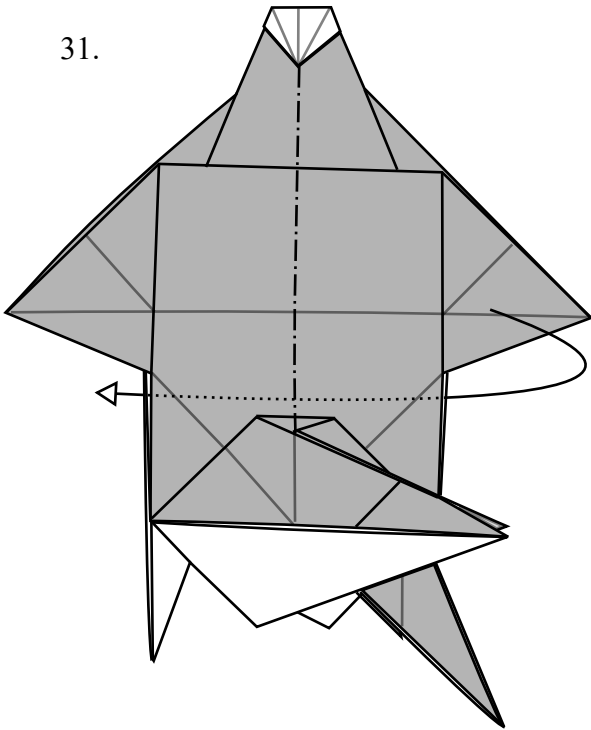


Close.

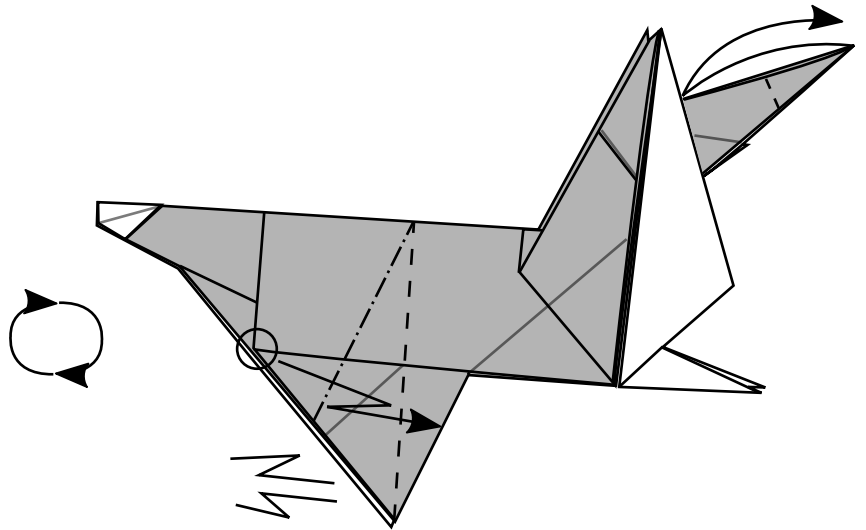
30.



31.

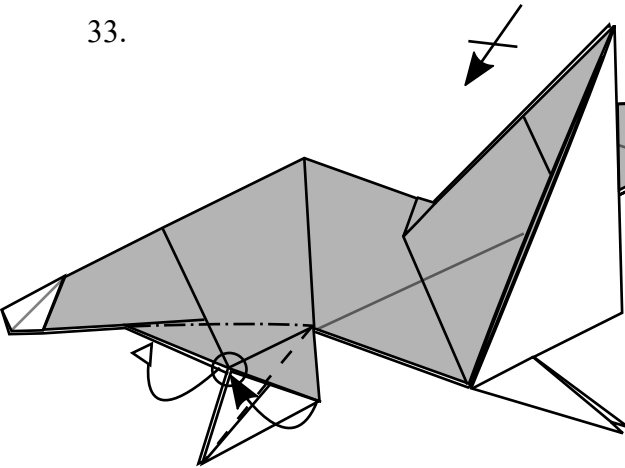


32.



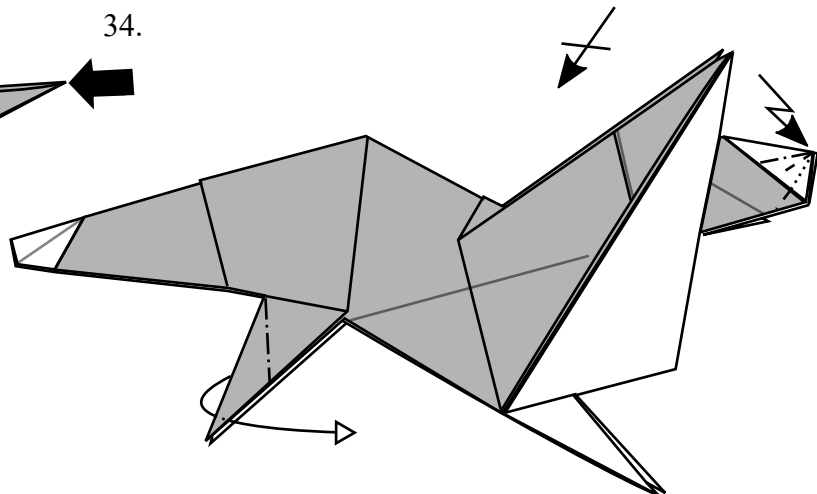
Note position of circled corner in next step.

33.



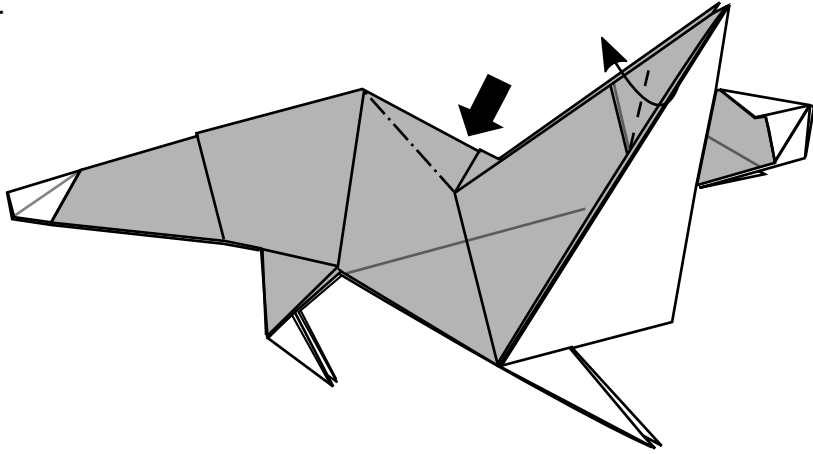
Outside reverse fold the nose.

34.

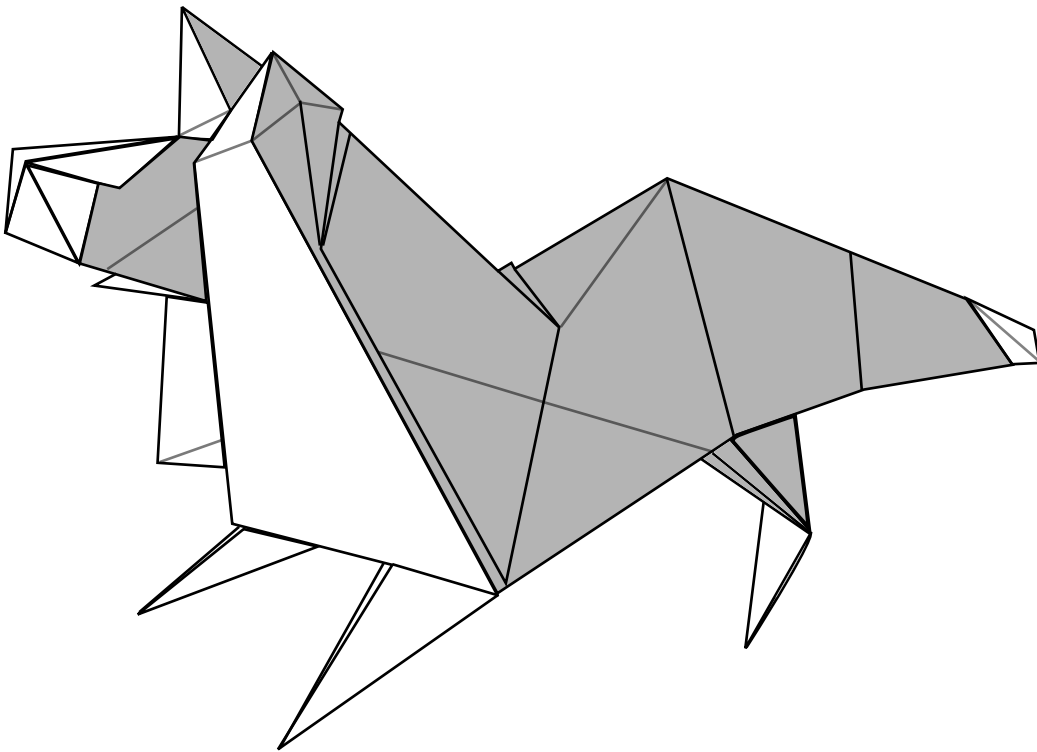


Mountain fold the legs. Pleat each side of the nose.

35.



Shape the back. Open out the ears.



FIN